

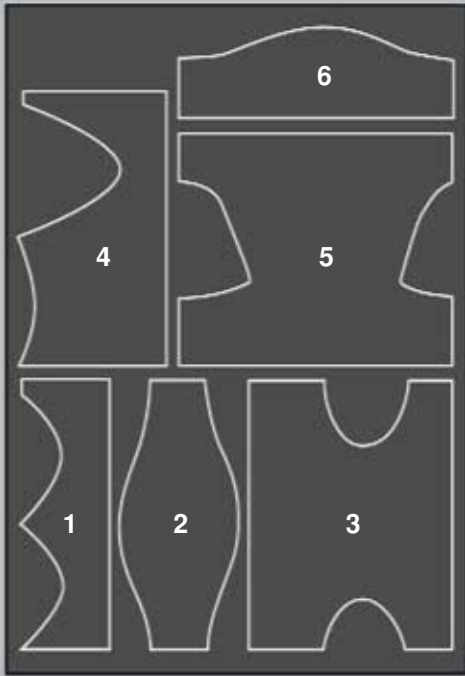
K-FONIK ST PB, ECO, GK: **BENDS AND BRANCHES**

Installation on pipes and drains:

- cut the sheets based on the circumference of the pipes to be insulated - securely fix the sheets to the pipes using plastic bands or PVC tape.

NB: the sheet must stick perfectly to the surface and the joints should be perfectly sealed together.





1 m pre-cut sheets for conduits measuring:

∅ 76 = 35 cm width

∅ 90 = 40 cm width

∅ 110 = 47 cm width

∅ 125 = 53 cm width

Special pieces for:

90° bend = 3 pieces

45° bend = 2 pieces

90° branch = 2 pieces

45° branch = 2 pieces

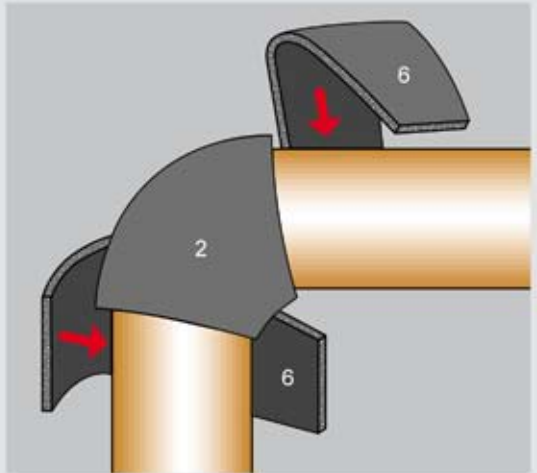
The sheet or the special pieces must adhere perfectly to the surface, and the joints must have an overlap of at least 20 mm; they must then be fixed with PVC adhesive tape.

Two or three galvanized iron wires over the sheet will further assure its hold and complete adherence.



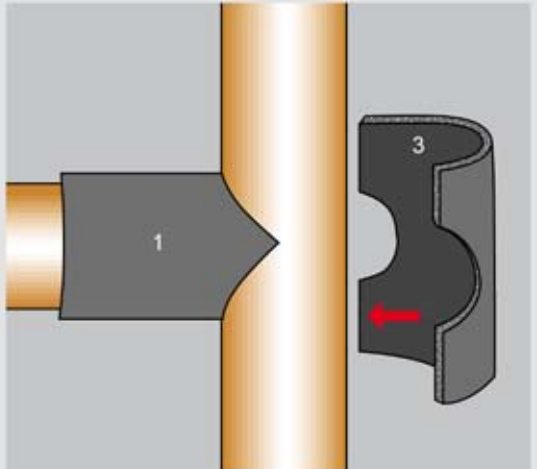
90° BEND

First, apply piece n° 2 onto the bend. Then, place the two n° 6 pieces with the chamfered side towards the bend to complete the covering.



90° BRANCHES

Piece n° 1 is first applied onto the horizontal part of the piping: next, piece n° 3 closes over the branch.



45° BRANCH

Piece n° 4 is applied onto the oblique arm of the branch.
Piece n° 5 completes the lagging.

